

ELECTRICAL CHARACTERISTICS ($V^+ = +12$ Vdc, $T_A = +25^\circ\text{C}$, unless otherwise noted.)

Characteristics	Symbol	Min	Typ	Max	Unit
AGC Range, 45 MHz (5.0 V to 7.0 V) (Figure 1)		60	68	–	dB
Power Gain (Pin 5 grounded via a 5.1 k Ω resistor) f = 58 MHz, BW = 4.5 MHz See Figure 6(a) f = 45 MHz, BW = 4.5 MHz See Figure 6(a), (b) f = 10.7 MHz, BW = 350 kHz See Figure 7 f = 455 kHz, BW = 20 kHz	A_p	– 46 – –	48 50 58 62	– – – –	dB
Maximum Differential Voltage Swing 0 dB AGC –30 dB AGC	V_O	– –	20 8.0	– –	V_{pp}
Output Stage Current (Pins 1 and 8)	$I_1 + I_8$	–	5.6	–	mA
Total Supply Current (Pins 1, 2 and 8)	I_S	–	14	17	mAdc
Power Dissipation	P_D	–	168	204	mW

DESIGN PARAMETERS, Typical Values ($V^+ = +12$ Vdc, $T_A = +25^\circ\text{C}$, unless otherwise noted.)

Parameter	Symbol	Frequency				Unit
		455 kHz	10.7 MHz	45 MHz	58 MHz	
Single-Ended Input Admittance	g_{11} b_{11}	0.31 0.022	0.36 0.50	0.39 2.30	0.5 2.75	mmho
Input Admittance Variations with AGC (0 dB to 60 dB)	Δg_{11} Δb_{11}	– –	– –	60 0	– –	μmho
Differential Output Admittance	g_{22} b_{22}	4.0 3.0	4.4 110	30 390	60 510	μmho
Output Admittance Variations with AGC (0 dB to 60 dB)	Δg_{22} Δb_{22}	– –	– –	4.0 90	– –	μmho
Reverse Transfer Admittance (Magnitude)	$ y_{12} $	<< 1.0	<< 1.0	<< 1.0	<< 1.0	μmho
Forward Transfer Admittance Magnitude Angle (0 dB AGC) Angle (–30 dB AGC)	$ y_{21} $ $\angle y_{21}$ $\angle y_{21}$	160 –5.0 –3.0	160 –20 –18	200 –80 –69	180 –105 –90	mmho Degrees Degrees
Single-Ended Input Capacitance	C_{in}	7.2	7.2	7.4	7.6	pF
Differential Output Capacitance	C_O	1.2	1.2	1.3	1.6	pF

Figure 2. Typical Gain Reduction

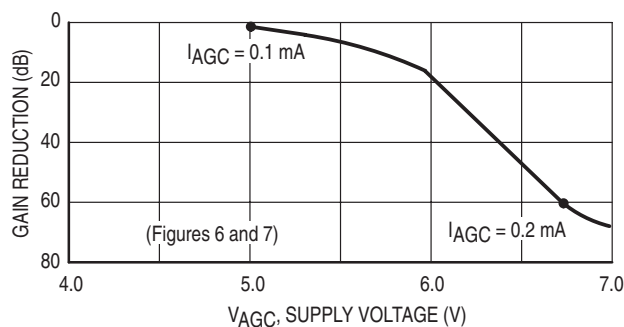
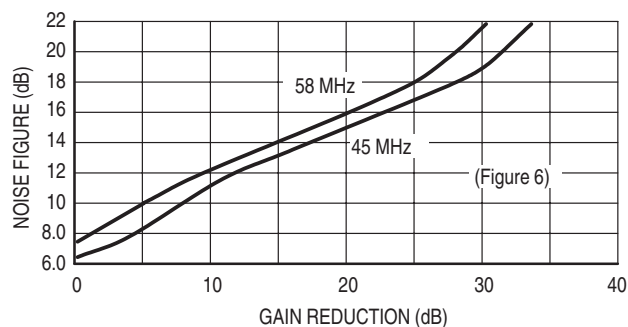


Figure 3. Noise Figure versus Gain Reduction



GENERAL OPERATING INFORMATION

The input amplifiers (Q1 and Q2) operate at constant emitter currents so that input impedance remains independent of AGC action. Input signals may be applied single-ended or differentially (for AC) with identical results. Terminals 4 and 6 may be driven from a transformer, but a DC path from either terminal to ground is not permitted.

AGC action occurs as a result of an increasing voltage on the base of Q4 and Q5 causing these transistors to conduct more heavily thereby shunting signal current from the interstage amplifiers Q3 and Q6. The output amplifiers are supplied from an active current source to maintain constant quiescent bias thereby holding output admittance nearly constant. Collector voltage for the output amplifier must be supplied through a center-tapped tuning coil to Pins 1 and 8. The 12 V supply (V+) at Pin 2 may be used for this purpose, but output admittance remains more nearly constant if a separate 15 V supply (V++) is used, because the base voltage on the output amplifier varies with AGC bias.

Figure 4. Circuit Schematic

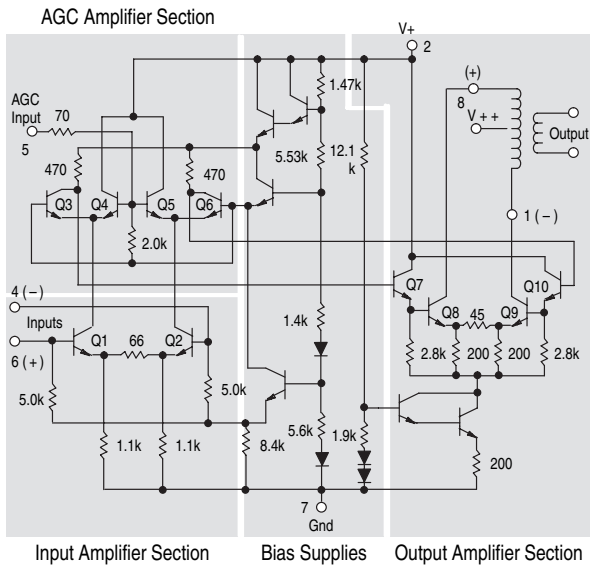


Figure 5. Frequency Response Curve (45 MHz and 58 MHz)

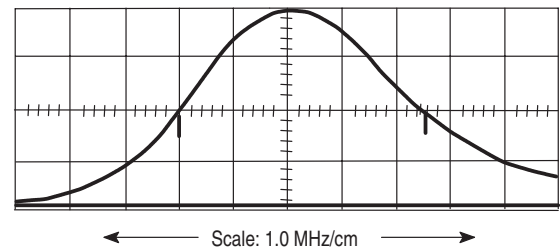
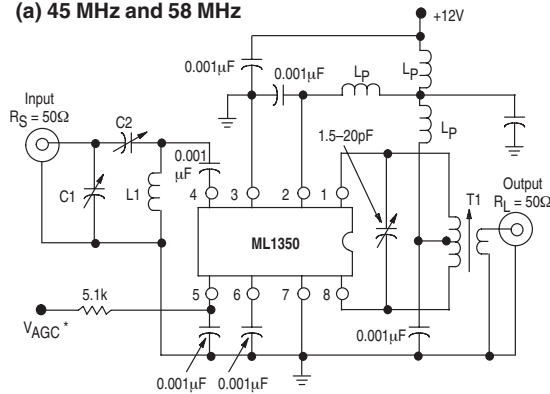
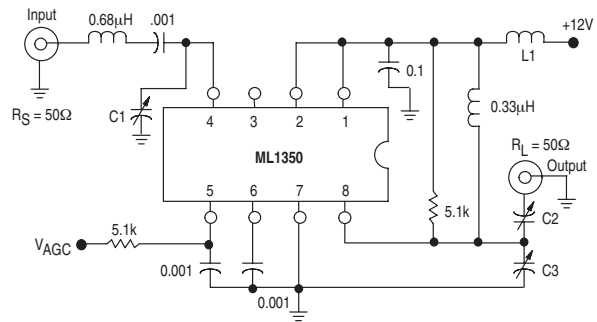


Figure 6. Power Gain, AGC and Noise Figure Test Circuits

(a) 45 MHz and 58 MHz



(b) Alternate 45 MHz



*Connect to ground for maximum power gain test.
All power supply chokes (Lp) are self-resonant at input frequency. Lp ≥ 20 kΩ.
See Figure 5 for Frequency Response Curve.

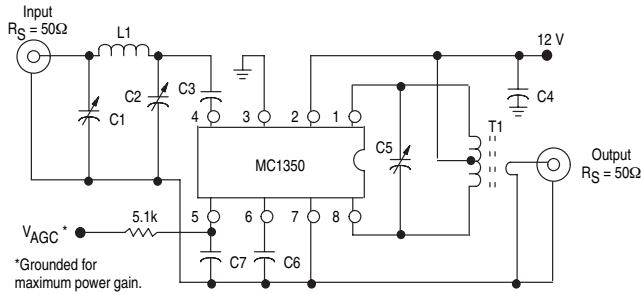
L1 @ 45 MHz = 7 1/4 Turns on a 1/4" coil form
@ 58 MHz = 6 Turns on a 1/4" coil form
T1 Primary Winding = 18 Turns on a 1/4" coil form, center-tapped, #25 AWG
Secondary Winding = 2 Turns centered over Primary Winding @ 45 MHz
= 1 Turn @ 58 MHz
Slug = Carbonyl E or J

Ferrite Core 14 Turns 28 S.W.G.	
L1	
C1	5-25 pF
C2	5-25 pF
C3	5-25 pF

	45 MHz		58 MHz	
L1	0.4 μH	Q ≥ 100	0.3 μH	Q ≥ 100
T1	1.3 μH to 3.4 μH	Q ≥ 100 @ 2.0 μH	1.2 μH to 3.8 μH	Q ≥ 100 @ 2.0 μH
C1	50 pF to 160 pF		8.0 pF to 60 pF	
C2	8.0 pF to 60 pF		3.0 pF to 35 pF	

Legacy Applications Information

Figure 7. Power Gain and AGC Test Circuit (455 kHz and 10.7 MHz)



Component	Frequency	
	455 kHz	10.7 MHz
C1	—	80–450 pF
C2	—	5.0–80 pF
C3	0.05 μF	0.001 μF
C4	0.05 μF	0.05 μF
C5	0.001 μF	36 pF
C8	0.05 μF	0.05 μF
C7	0.05 μF	0.05 μF
L1	—	4.6 μF
T1	Note 1	Note 2

NOTES: 1. Primary: 120 μH (center-tapped)
 $Q_U = 140$ at 455 kHz
 Primary: Secondary turns ratio ≈ 13
 2. Primary: 6.0 μH
 Primary winding = 24 turns #36 AWG
 (close-wound on 1/4" dia. form)
 Core = Carbonyl E or J
 Secondary winding = 1–1/2 turns #36 AWG, 1/4" dia.
 (wound over center-tap)

Figure 8. Single-Ended Input Admittance

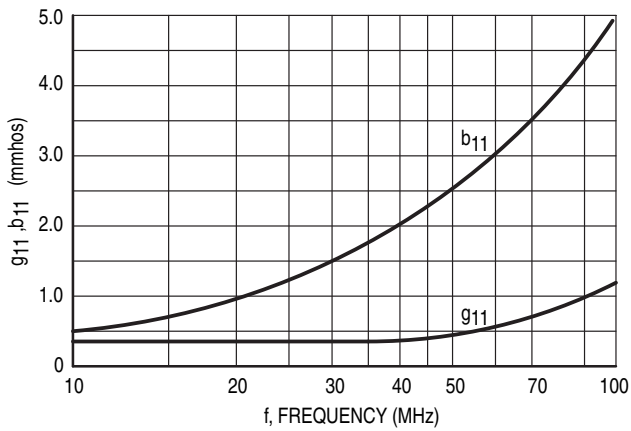


Figure 9. Forward Transfer Admittance

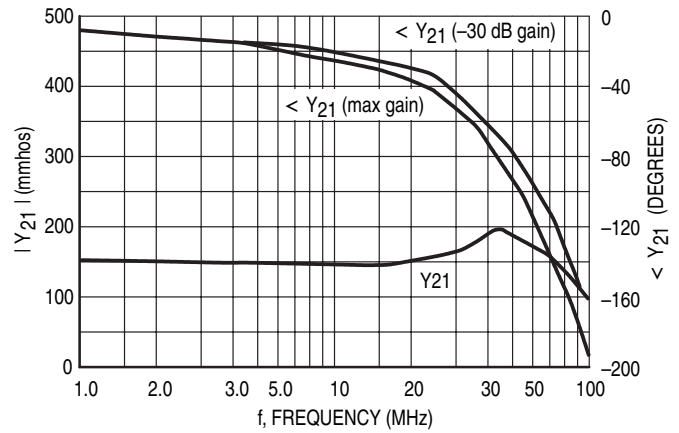


Figure 10. Differential Output Admittance

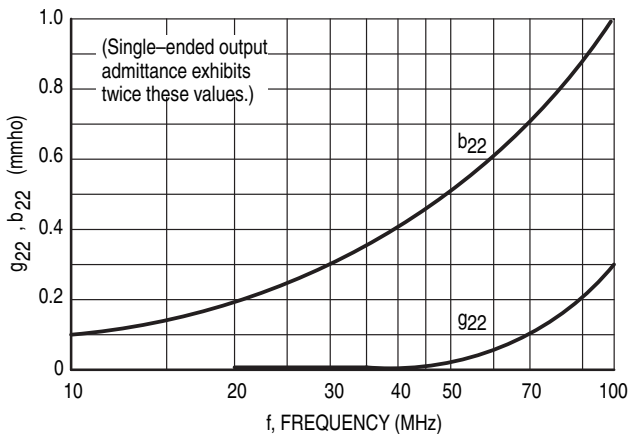


Figure 11. Differential Output Voltage

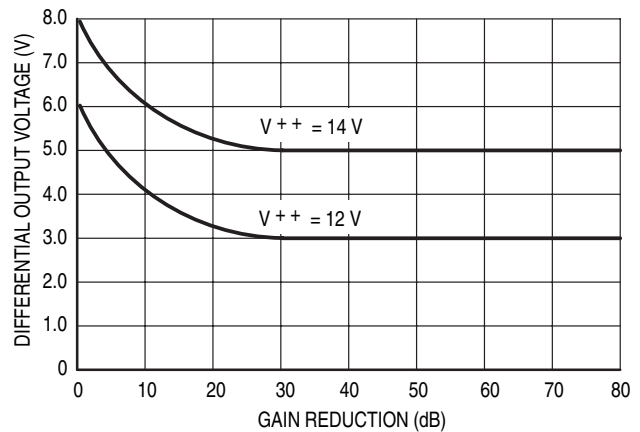
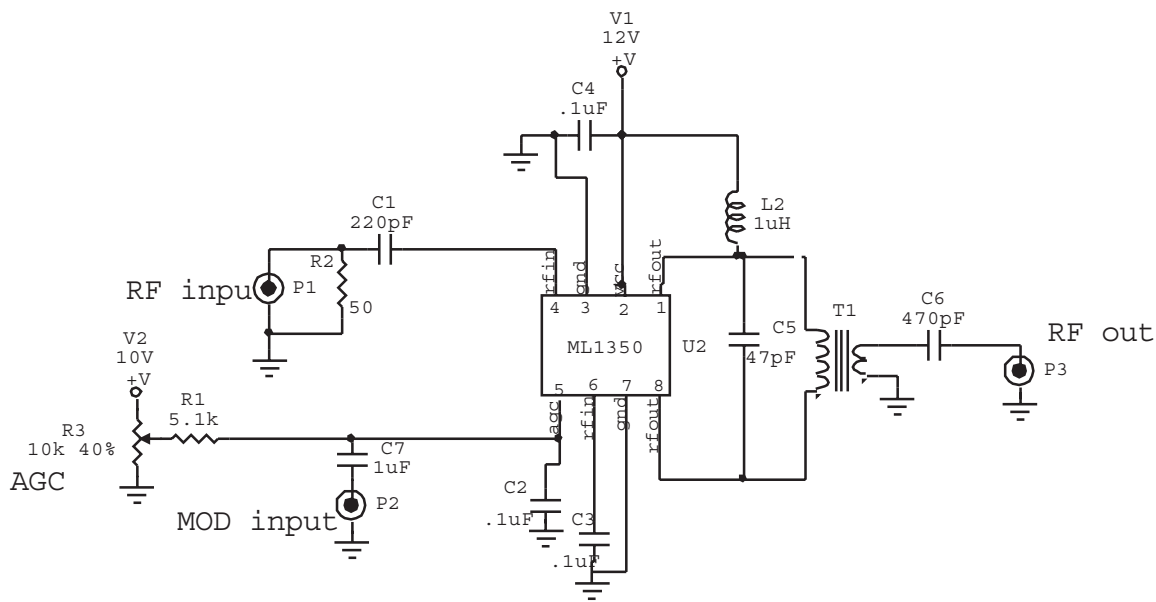
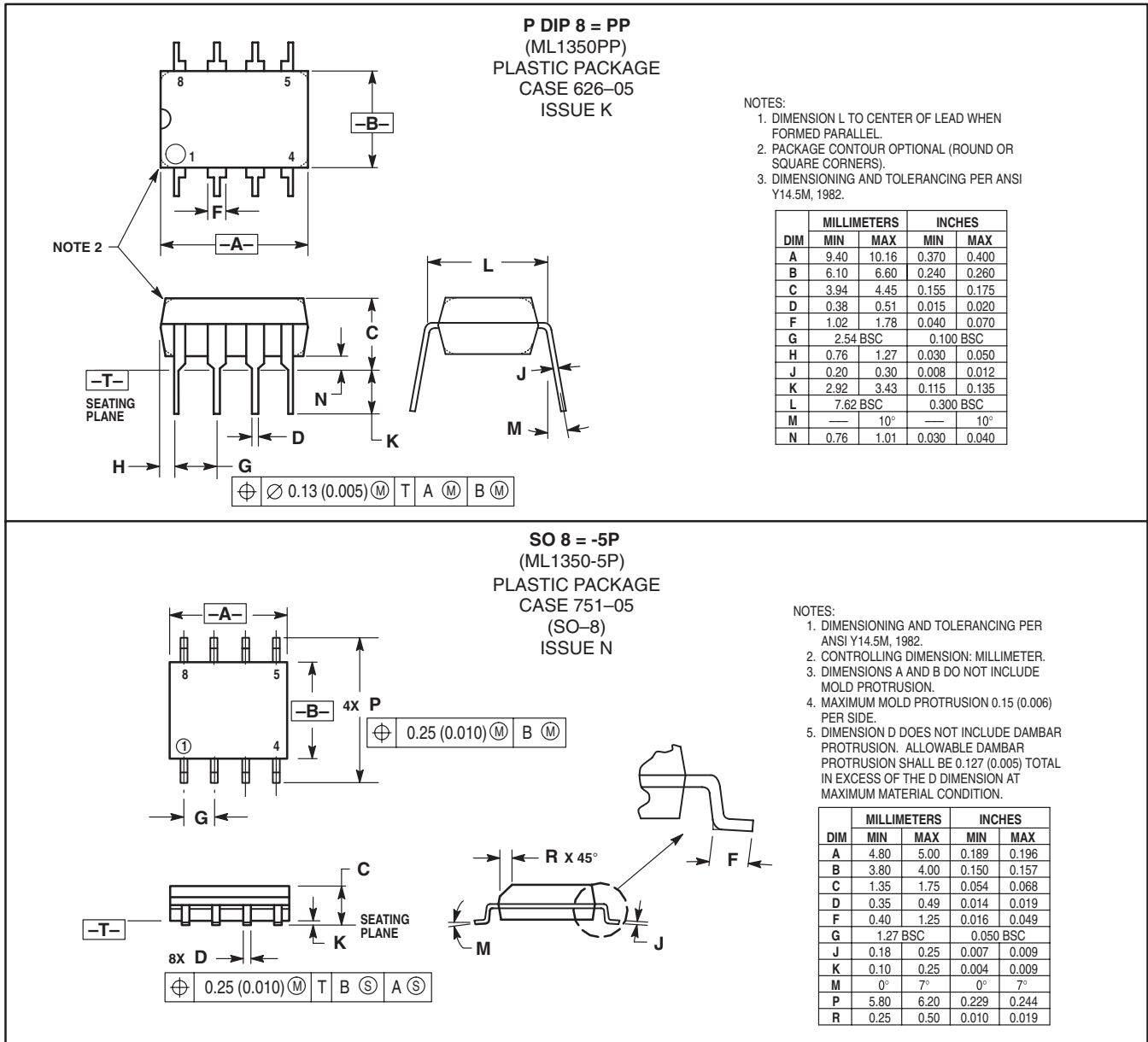


Figure 12. Typical application of a AM Modulator using ML1350



OUTLINE DIMENSIONS



Lansdale Semiconductor reserves the right to make changes without further notice to any products herein to improve reliability, function or design. Lansdale does not assume any liability arising out of the application or use of any product or circuit described herein; neither does it convey any license under its patent rights nor the rights of others. "Typical" parameters which may be provided in Lansdale data sheets and/or specifications can vary in different applications, and actual performance may vary over time. All operating parameters, including "Typicals" must be validated for each customer application by the customer's technical experts. Lansdale Semiconductor is a registered trademark of Lansdale Semiconductor, Inc.