

**Legacy Device:** Motorola MC145554, MC145557, MC145564, MC145567

The ML145554, ML145557, ML145564, and ML145567 are all per channel PCM Codec-Filters. These devices perform the voice digitization and reconstruction as well as the band limiting and smoothing required for PCM systems. They are designed to operate in both synchronous and asynchronous applications and contain an on-chip precision voltage reference. The ML145554 (Mu-Law) and ML145557 (A-Law) are general purpose devices that are offered in 16-pin packages. The ML145564 (Mu-Law) and ML145567 (A-Law), offered in 20-pin packages, add the capability of analog loopback and push-pull power amplifiers with adjustable gain.

These devices have an input operational amplifier whose output is the input to the encoder section. The encoder section immediately low-pass filters the analog signal with an active R-C filter to eliminate very-high-frequency noise from being modulated down to the pass band by the switched capacitor filter. From the active R-C filter, the analog signal is converted to a differential signal. From this point, all analog signal processing is done differentially. This allows processing of an analog signal that is twice the amplitude allowed by a single-ended design, which reduces the significance of noise to both the inverted and non-inverted signal paths. Another advantage of this differential design is that noise injected via the power supplies is a common-mode signal that is cancelled when the inverted and non-inverted signals are recombined. This dramatically improves the power supply rejection ratio.

After the differential converter, a differential switched capacitor filter band-passes the analog signal from 200 Hz to 3400 Hz before the signal is digitized by the differential compressing A/D converter.

The decoder accepts PCM data and expands it using a differential D/A converter. The output of the D/A is low-pass filtered at 3400 Hz and sinX/X compensated by a differential switched capacitor filter. The signal is then filtered by an active R-C filter to eliminate the out-of-band energy of the switched capacitor filter.

These PCM Codec-Filters accept both long-frame and short-frame industry standard clock formats. They also maintain compatibility with Motorola's family of TSACs and MC3419/MC34120 SLIC products.

The ML145554/57/64/67 family of PCM Codec-Filters utilizes CMOS due to its reliable low-power performance and proven capability for complex analog/digital VLSI functions.

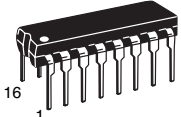
### FEATURES

#### ML145554/57(16-Pin Package)

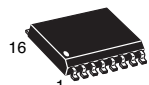
- Fully Differential Analog Circuit Design for Lowest Noise
- Performance Specified for Extended Temperature Range of -40 to +85°C
- Transmit Band-Pass and Receive Low-Pass Filters On-Chip
- Active R-C Pre-Filtering and Post-Filtering
- Mu-Law Companding ML145554
- A-Law Companding ML145557
- On-Chip Precision Voltage Reference (2.5 V)
- Typical Power Dissipation of 40 mW, Power Down of 1.0 mW at ±5 V

#### ML145564/67(20-Pin Package) — All of the Features of the ML145554/57 Plus:

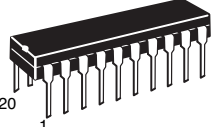
- Mu-Law Companding ML145564
- A-Law Companding ML145567
- Push-Pull Power Drivers with External Gain Adjust
- Analog Loopback



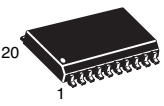
**P DIP 16 = EP**  
PLASTIC DIP  
CASE 648  
ML145554/57



**SOG 16 = -5P**  
SOG PACKAGE  
CASE 751G  
ML145554/57



**P DIP 20 = RP**  
PLASTIC DIP  
CASE 738  
ML145564/67

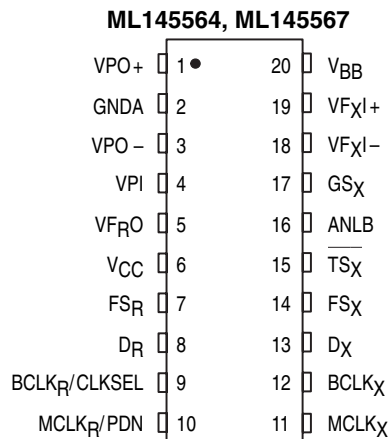
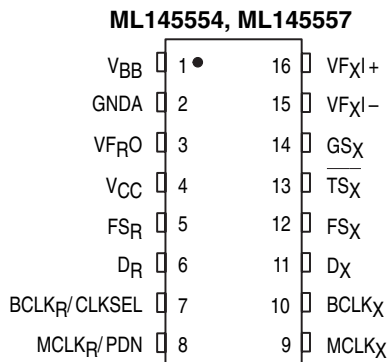


**SOG 20 = -6P**  
SOG PACKAGE  
CASE 751D  
ML145564/67

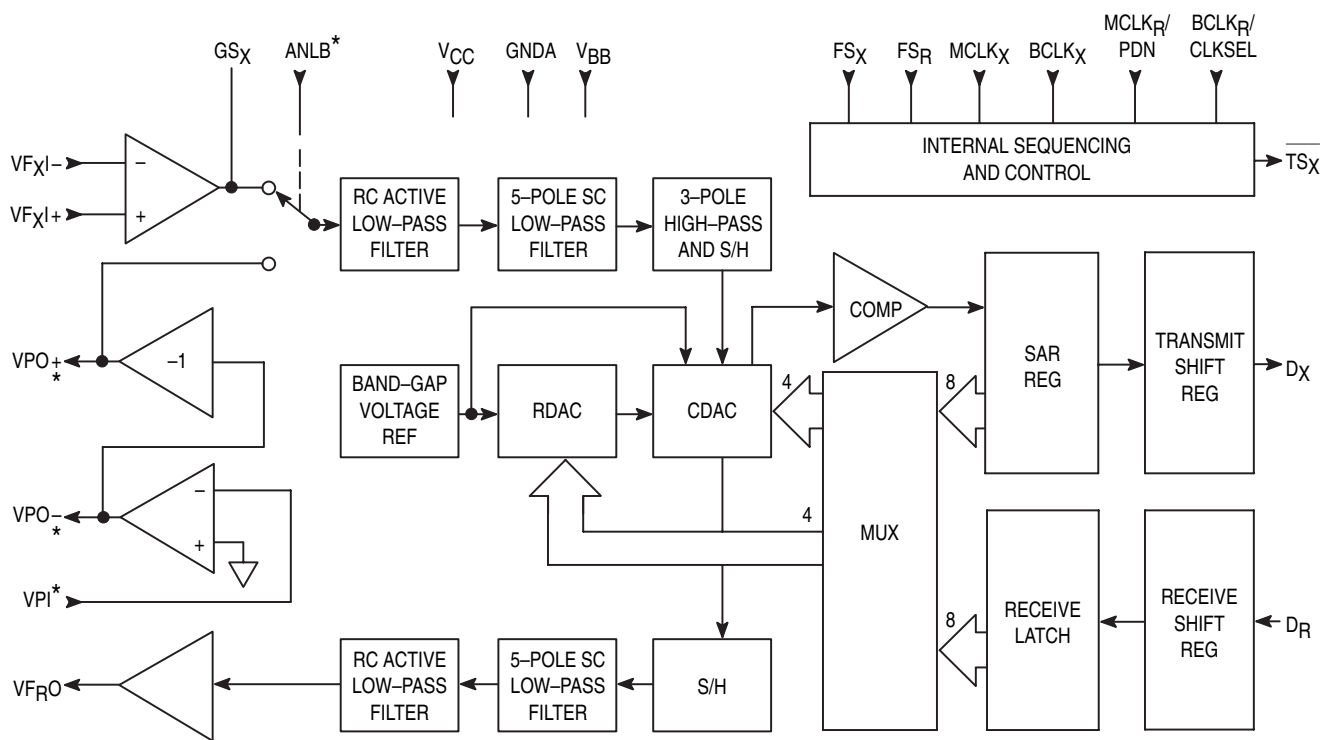
| CROSS REFERENCE/ORDERING INFORMATION |            |             |
|--------------------------------------|------------|-------------|
| PACKAGE                              | MOTOROLA   | LANSDALE    |
| P DIP 16                             | MC145554P  | ML145554EP  |
| SO 16W                               | MC145554DW | ML145554-5P |
| P DIP 16                             | MC145557P  | ML145557EP  |
| SO 16W                               | MC145557DW | ML145557-5P |
| P DIP 20                             | MC145564P  | ML145564RP  |
| SO 20W                               | MC145564DW | ML145564-6P |
| P DIP 20                             | MC145567P  | ML145567RP  |
| SO 20W                               | MC145567DW | ML145567-6P |

**Note:** Lansdale lead free (Pb) product, as it becomes available, will be identified by a part number prefix change from ML to MLE.

PIN ASSIGNMENTS



FUNCTIONAL BLOCK DIAGRAM



\* ML145564 and ML145567 only.

## DEVICE DESCRIPTION

A codec-filter is used for digitizing and reconstructing the human voice. These devices were developed primarily for the telephone network to facilitate voice switching and transmission. Once the voice is digitized, it may be switched by digital switching methods or transmitted long distance (T1, microwave, satellites, etc.) without degradation. The name codec is an acronym from “COder” (for the A/D used to digitize voice) and “DECoder” (for the D/A used for reconstructing voice). A codec is a single device that does both the A/D and D/A conversions.

To digitize intelligible voice requires a signal-to-distortion ratio of about 30 dB over a dynamic range of about 40 dB. This can be accomplished with a linear 13-bit A/D and D/A, but will far exceed the required signal-to-distortion ratio at amplitudes greater than 40 dB below the peak amplitude. This excess performance is at the expense of data per sample. Methods of data reduction are implemented by compressing the 13-bit linear scheme to companded 8-bit schemes. There are two companding schemes used: Mu-255 Law specifically in North America, and A-Law specifically in Europe. These companding schemes are accepted world wide. These companding schemes follow a segmented or “piecewise-linear” curve formatted as sign bit, three chord bits, and four step bits. For a given chord, all sixteen of the steps have the same voltage weighting. As the voltage of the analog input increases, the four step bits increment and carry to the three chord bits which increment. When the chord bits increment, the step bits double their voltage weighting. This results in an effective resolution of six bits (sign + chord + four step bits) across a 42 dB dynamic range (seven chords above zero, by 6 dB per chord). Tables 3 and 4 show the linear quantization levels to PCM words for the two companding schemes.

In a sampling environment, Nyquist theory says that to properly sample a continuous signal, it must be sampled at a frequency higher than twice the signal’s highest frequency component. Voice contains spectral energy above 3 kHz, but its absence is not detrimental to intelligibility. To reduce the digital data rate, which is proportional to the sampling rate, a sample rate of 8 kHz was adopted, consistent with a bandwidth of 3 kHz. This sampling requires a low-pass filter to limit the high frequency energy above 3 kHz from distorting the in-band signal. The telephone line is also subject to 50/60 Hz power line coupling, which must be attenuated from the signal by a high-pass filter before the A/D converter.

The D/A process reconstructs a staircase version of the desired in-band signal, which has spectral images of the in-band signal modulated about the sample frequency and its harmonics. These spectral images, called aliasing components, need to be attenuated to obtain the desired signal. The low-pass filter used to attenuate these aliasing components is typically called a reconstruction or smoothing filter.

The ML145554/57/64/67 PCM Codec-Filters have the codec, both presampling and reconstruction filters, and a precision voltage reference on-chip, and require no external components.

## PIN DESCRIPTION

### DIGITAL

#### FSR

##### Receive Frame Sync

This is an 8 kHz enable that must be synchronous with BCLKR. Following a rising FSR edge, a serial PCM word at DR is clocked by BCLKR into the receive data register. FSR also initiates a decode on the previous PCM word. In the absence of FSX, the length of the FSR pulse is used to determine whether the I/O conforms to the Short Frame Sync or Long Frame Sync convention.

#### DR

##### Receive Digital Data Input

#### BCLKR/CLKSEL

##### Receive Data Clock and Master Clock Frequency Selector

If this input is a clock, it must be between 128 kHz and 4.096 MHz, and synchronous with FSR. In synchronous applications this pin may be held at a constant level; then BCLKX is used as the data clock for both the transmit and receive sides, and this pin selects the assumed frequency of the master clock (see Table 1 in **Functional Description**).

#### MCLKR/PDN

##### Receive Master Clock and Power-Down Control

Because of the shared DAC architecture used on these devices, only one master clock is needed. Whenever FSX is clocking, MCLKX is used to derive all internal clocks, and the MCLKR/PDN pin merely serves as a power-down control. If MCLKR/PDN pin is held low or is clocked (and at least one of the frame syncs is present), the part is powered up. If this pin is held high, the part is powered down. If FSX is absent but FSR is still clocking, the device goes into receive half-channel mode, and MCLKR (if clocking) generates the internal clocks.

#### MCLKX

##### Transmit Master Clock

This clock is used to derive the internal sequencing clocks; it must be 1.536 MHz, 1.544 MHz, or 2.048 MHz.

#### BCLKX

##### Transmit Data Clock

BCLKX may be any frequency between 128 kHz and 4.096 MHz, but it should be synchronous with MCLKX.

#### Dx

##### Transmit Digital Data Output

This output is controlled by FSX and BCLKX to output the PCM data word; otherwise this pin is in a high-impedance state.

#### FSX

##### Transmit Frame Sync

This is an 8 kHz enable that must be synchronous with BCLKX. A rising FSX edge initiates the transmission of a

serial PCM word, clocked by BCLK<sub>X</sub>, out of DX. If the FSX pulse is high for more than eight BCLK<sub>X</sub> periods, the DX and TSX outputs will remain in a low-impedance state until FSX is brought low. The length of the FSX pulse is used to determine whether the transmit and receive digital I/O conforms to the Short Frame Sync or to the Long Frame Sync convention.

### **TSX**

#### **Transmit Time Slot Indicator**

This is an open-drain output that goes low whenever the DX output is in a low-impedance state (i.e., during the transmit time slot when the PCM word is being output) for enabling a PCM bus driver.

### **ANLB**

#### **Analog Loopback Control Input (ML145564/67 Only)**

When held high, this pin causes the input of the transmit RC active filter to be disconnected from GSX and connected to VPO+ for analog loopback testing. This pin is held low in normal operation.

### **ANALOG**

### **GSX**

#### **Gain-Setting Transmit**

This output of the transmit gain-adjust operational amplifier is internally connected to the encoder section of the device. It must be used in conjunction with VFXI- and VFXI+ to set the transmit gain for a maximum signal amplitude of 2.5 V peak. This output can drive a 600 Ω load to 2.5 V peak.

### **VFXI-**

#### **Voice-Frequency Transmit Input (Inverting)**

This is the inverting input of the transmit gain-adjust operational amplifier.

### **VFXI+**

#### **Voice-Frequency Transmit Input (Non-Inverting)**

This is the non-inverting input of the transmit gain-adjust operational amplifier.

### **VFRO**

#### **Voice-Frequency Receive Output**

This receive analog output is capable of driving a 600 Ω load to 2.5 V peak.

### **VPI**

#### **Voltage Power Input (ML145564/67 Only)**

This is the inverting input to the first receive power amplifier. Both of the receive power amplifiers can be powered down by connecting this input to VBB.

### **VPO-**

#### **Voltage Power Output (Inverted) (ML145564/67 Only)**

This inverted output of the receive push-pull power amplifiers can drive 300 Ω to 3.3 V peak.

### **VPO+**

#### **Voltage Power Output (Non-Inverted) (ML145554/67 Only)**

This non-inverted output of the receive push-pull power

amplifier pair can drive 300 Ω to 3.3 V peak.

### **POWER SUPPLY**

### **GND**

#### **Analog Ground**

This terminal is the reference level for all signals, both analog and digital. It is 0 V.

### **VCC**

#### **Positive Power Supply**

VCC is typically 5 V.

### **VBB**

#### **Negative Power Supply**

VBB is typically -5 V.

## **FUNCTIONAL DESCRIPTION**

### **ANALOG INTERFACE AND SIGNAL PATH**

The transmit portion of these codec-filters includes a low-noise gain setting amplifier capable of driving a 600 Ω load. Its output is fed to a three-pole anti-aliasing pre-filter. This pre-filter incorporates a two-pole Butterworth active low-pass filter, and a single passive pole. This pre-filter is followed by a single ended-to-differential converter that is clocked at 256 kHz. All subsequent analog processing utilizes fully differential circuitry. The next section is a fully-differential, five-pole switched capacitor low-pass filter with a 3.4 kHz passband. After this filter is a 3-pole switched-capacitor high-pass filter having a cutoff frequency of about 200 Hz. This high-pass stage has a transmission zero at DC that eliminates any DC coming from the analog input or from accumulated operational amplifier offsets in the preceding filter stages. The last stage of the high-pass filter is an autozeroed sample and hold amplifier.

One bandgap voltage reference generator and digital-to-analog converter (DAC) are shared by the transmit and receive sections. The autozeroed, switched-capacitor bandgap reference generates precise positive and negative reference voltages that are independent of temperature and power supply voltage. A binary-weighted capacitor array (CDAC) forms the chords of the companding structure, while a resistor string (RDAC) implements the linear steps within each chord. The encode process uses the DAC, the voltage reference, and a frame-by-frame autozeroed comparator to implement a successive-approximation conversion algorithm. All of the analog circuitry involved in the data conversion the voltage reference, RDAC, CDAC, and comparator are implemented with a differential architecture.

The receive section includes the DAC described above, a sample and hold amplifier, a five-pole 3400 Hz switched-capacitor low-pass filter with sinX/X correction, and a two-pole active smoothing filter to reduce the spectral components of the switched capacitor filter. The output of the smoothing filter is a power amplifier that is capable of driving a 600 Ω load. The ML145564 and ML145567 add a pair of power amplifiers that are connected in a push-pull configuration; two external resistors set the gain of both of the



complementary outputs. The output of the second amplifier may be internally connected to the input of the transmit anti-aliasing filter by bringing the ANLB pin high. The power amplifiers can drive unbalanced 300 Ω loads or a balanced 600 Ω load; they may be powered down independent of the rest of the chip by tying the VPI pin to VBB.

**MASTER CLOCKS**

Since the codec-filter design has a single DAC architecture, only one master clock is used. In normal operation (both frame syncs clocking), the MCLK<sub>X</sub> is used as the master clock, regardless of whether the MCLK<sub>R</sub>/PDN pin is clocking or low. The same is true if the part is in transmit half-channel mode (FS<sub>X</sub> clocking, FSR held low). But if the codec-filter is in the receive half-channel mode, with FSR clocking and FS<sub>X</sub> held low, MCLK<sub>R</sub> is used for the internal master clock if it is clocking; if MCLK<sub>R</sub> is low, then MCLK<sub>X</sub> is still used for the internal master clock. Since only one of the master clocks is used at any given time, they need not be synchronous.

The master clock frequency must be 1.536 MHz, 1.544 MHz, or 2.048 MHz. The frequency that the codec-filter expects depends upon whether the part is a Mu-Law or an A-Law part, and on the state of the BCLK<sub>R</sub>/CLKSEL pin. The allowable options are shown in Table 1. When a level (rather than a clock) is provided for BCLK<sub>R</sub>/CLKSEL, BCLK<sub>X</sub> is used as the bit clock for both transmit and receive.

**Table 1. Master Clock Frequency Determination**

| BCLK <sub>R</sub> /CLKSEL | Master Clock Frequency Expected |                        |
|---------------------------|---------------------------------|------------------------|
|                           | ML145554/64                     | ML145557/67            |
| Clocked, 1, or Open       | 1.536 MHz<br>1.544 MHz          | 2.048 MHz              |
| 0                         | 2.048 MHz                       | 1.536 MHz<br>1.544 MHz |

**FRAME SYNC AND DIGITAL I/O**

These codec-filters can accommodate both of the industry standard timing formats. The Long Frame Sync mode is used by Lansdale's ML145500 family of codec-filters and the UDLT family of digital loop transceivers. The Short Frame Sync mode is compatible with the IDL (Interchip Digital Link) serial format used in Motorola and Lansdale's ISDN family and by other companies in their telecommunication devices. These codec-filters use the length of the transmit frame sync (FS<sub>X</sub>) to determine the timing format for both transmit and receive unless the part is operating in the receive half-channel mode.

In the Long Frame Sync mode, the frame sync pulses must be at least three bit clock periods long. The DX and TS<sub>X</sub> outputs are enabled by the logical ANDing of FS<sub>X</sub> and BCLK<sub>X</sub>; when both are

high, the sign bit appears at the DX output. The next seven rising edges of BCLK<sub>X</sub> clock out the remaining seven bits of the PCM word. The DX and TS<sub>X</sub> outputs return to a high impedance state on the falling edge of the eighth bit clock or the falling edge of FS<sub>X</sub>, whichever comes later. The receive PCM word is clocked into DR on the eight falling BCLK<sub>R</sub> edges following an FSR rising edge.

For Short Frame Sync operation, the frame sync pulses must be one bit clock period long. On the first BCLK<sub>X</sub> rising edge after the falling edge of BCLK<sub>X</sub> has latched FS<sub>X</sub> high, the DX and TS<sub>X</sub> outputs are enabled and the sign bit is presented on DX. The next seven rising edges of BCLK<sub>X</sub> clock out the remaining seven bits of the PCM word; on the eighth BCLK<sub>X</sub> falling edge, the DX and TS<sub>X</sub> outputs return to a high impedance state. On the second falling BCLK<sub>R</sub> edge following an FSR rising edge, the receive sign bit is clocked into DR. The next seven BCLK<sub>R</sub> falling edges clock in the remaining seven bits of the receive PCM word.

Table 2 shows the coding format of the transmit and receive PCM words.

**HALF-CHANNEL MODES**

In addition to the normal full-duplex operating mode, these codec-filters can operate in both transmit and receive half-channel modes. Transmit half-channel mode is entered by holding FSR low. The VFR<sub>O</sub> output goes to analog ground but remains in a low impedance state (to facilitate a hybrid interface); PCM data at DR is ignored. Holding FS<sub>X</sub> low while clocking FSR puts these devices in the receive half-channel mode. In this state, the transmit input operational amplifier continues to operate, but the rest of the transmit circuitry is disabled; the DX and TS<sub>X</sub> outputs remain in a high impedance state. MCLK<sub>R</sub> is used as the internal master clock if it is clocking. If MCLK<sub>R</sub> is not clocking, then MCLK<sub>X</sub> is used for the internal master clock, but in that case it should be synchronous with FSR. If BCLK<sub>R</sub> is not clocking, BCLK<sub>X</sub> will be used for the receive data, just as in the full-channel operating mode. In receive half-channel mode only, the length of the FSR pulse is used to determine whether Short Frame Sync or Long Frame Sync timing is used at DR.

**POWER-DOWN**

Holding both FS<sub>X</sub> and FSR low causes the part to go into the power-down state. Power-down occurs approximately 2 ms after the last frame sync pulse is received. An alternative way to put these devices in power-down is to hold the MCLK<sub>R</sub>/PDN pin high. When the chip is powered down, the DX, TS<sub>X</sub>, and GS<sub>X</sub> outputs are high impedance, the VFR<sub>O</sub>, VPO<sub>-</sub>, and VPO<sub>+</sub> operational amplifiers are biased with a trickle current so that their respective outputs remain stable at analog ground. To return the chip to the power-up state, MCLK<sub>R</sub>/PDN must be low or clocking and at least one of the frame sync pulses must be present. The DX and TS<sub>X</sub> outputs will remain in a high-impedance state until the second FS<sub>X</sub> pulse after power-up.

**Table 2. PCM Data Format**

| Level        | Mu-Law (ML145554/64) |            |           | A-Law (ML145557/67) |            |           |
|--------------|----------------------|------------|-----------|---------------------|------------|-----------|
|              | Sign Bit             | Chord Bits | Step Bits | Sign Bit            | Chord Bits | Step Bits |
| + Full Scale | 1                    | 0 0 0      | 0 0 0 0   | 1                   | 0 1 0      | 1 0 1 0   |
| + Zero       | 1                    | 1 1 1      | 1 1 1 1   | 1                   | 1 0 1      | 0 1 0 1   |
| - Zero       | 0                    | 1 1 1      | 1 1 1 1   | 0                   | 1 0 1      | 0 1 0 1   |
| - Full Scale | 0                    | 0 0 0      | 0 0 0 0   | 0                   | 0 1 0      | 1 0 1 0   |

**MAXIMUM RATINGS** (Voltage Referenced to GNDA)

| Rating                                     | Symbol   | Value   | Unit |
|--|--|---|------|
| DC Supply Voltage                          | $V_{CC}$ to $V_{BB}$<br>$V_{CC}$ to GNDA<br>$V_{BB}$ to GNDA | - 0.5 to + 13<br>- 0.3 to + 7.0<br>- 7.0 to + 0.3 | V    |
| Voltage on Any Analog Input or Output Pin  |  | $V_{BB} - 0.3$ to<br>$V_{CC} + 0.3$               | V    |
| Voltage on Any Digital Input or Output Pin |  | GNDA - 0.3 to<br>$V_{CC} + 0.3$                   | V    |
| Operating Temperature Range                | $T_A$  | - 40 to + 85                                      | C    |
| Storage Temperature Range                  | $T_{stg}$  | - 85 to + 150                                     | C    |

This device contains circuitry to protect against damage due to high static voltages or electric fields; however, it is advised that normal precautions be taken to avoid application of any voltage higher than maximum rated voltages to this high impedance circuit. For proper operation it is recommended that  $V_{in}$  and  $V_{out}$  be constrained to the range  $V_{SS} \leq (V_{in} \text{ or } V_{out}) \leq V_{DD}$ .

Unused inputs must always be tied to an appropriate logic voltage level (e.g.,  $V_{BB}$ , GNDA, or  $V_{CC}$ ).

**POWER SUPPLY** ( $T_A = -40$  to + 85 C)

| Characteristic                     | Min                            | Typ            | Max          | Unit           |    |
|------------------------------------|--------------------------------|----------------|--------------|----------------|----|
| DC Supply Voltage                  | $V_{CC}$<br>$V_{BB}$           | 4.75<br>- 4.75 | 5.0<br>- 5.0 | 5.25<br>- 5.25 | V  |
| Active Power Dissipation (No Load) |                                |                |              |                | mW |
|                                    | ML145554/57                    | —              | 40           | 60             |    |
|                                    | ML145564/67                    | —              | 45           | 70             |    |
|                                    | ML145564/67, $V_{PI} = V_{BB}$ | —              | 40           | 60             |    |
| Power-Down Dissipation (No Load)   |                                |                |              |                | mW |
|                                    | ML145554/57                    | —              | 1.0          | 3.0            |    |
|                                    | ML145564/67                    | —              | 2.0          | 5.0            |    |
|                                    | ML145564/67, $V_{PI} = V_{BB}$ | —              | 1.0          | 3.0            |    |

**DIGITAL LEVELS** ( $V_{CC} = 5\text{ V} \pm 5\%$ ,  $V_{BB} = -5\text{ V} \pm 5\%$ , GNDA = 0 V,  $T_A = -40$  to + 85 C)

| Characteristic                         | Symbol   | Min      | Max                   | Unit |   |
|--|--|----------|-----------------------|------|---|
| Input Low Voltage                      | $V_{IL}$   | —        | 0.6                   | V    |   |
| Input High Voltage                     | $V_{IH}$   | 2.2      | —                     | V    |   |
| Output Low Voltage                     | $D_X$ or $TS_X$ , $I_{OL} = 3.2\text{ mA}$                     | $V_{OL}$ | —                     | 0.4  | V |
| Output High Voltage                    | $D_X$ , $I_{OH} = -3.2\text{ mA}$<br>$I_{OH} = -1.6\text{ mA}$ | $V_{OH}$ | 2.4<br>$V_{CC} - 0.5$ | —    | V |
| Input Low Current                      | $GNDA \leq V_{in} \leq V_{CC}$                                 | $I_{IL}$ | - 10                  | + 10 | A |
| Input High Current                     | $GNDA \leq V_{in} \leq V_{CC}$                                 | $I_{IH}$ | - 10                  | + 10 | A |
| Output Current in High Impedance State | $GNDA \leq D_X \leq V_{CC}$                                    | $I_{OZ}$ | - 10                  | + 10 | A |

**ANALOG ELECTRICAL CHARACTERISTICS**

( $V_{CC} = +5\text{ V} \pm 5\%$ ,  $V_{BB} = -5\text{ V} \pm 5\%$ ,  $V_{FXI}$  – Connected to  $GS_X$ ,  $T_A = -40$  to  $+85\text{ C}$ )

| Characteristic   |  | Min          | Typ        | Max          | Unit       |
|--|--|--------------|------------|--------------|------------|
| Input Current ( $-2.5 \leq V_{in} \leq +2.5\text{ V}$ )                        | $V_{FXI+}$ , $V_{FXI-}$  | —            | $\pm 0.05$ | $\pm 0.2$    | A          |
| AC Input Impedance to GNDA (1 kHz)   | $V_{FXI+}$ , $V_{FXI-}$  | 10           | 20         | —            | M $\Omega$ |
| Input Capacitance  | $V_{FXI+}$ , $V_{FXI-}$  | —            | —          | 10           | pF         |
| Input Offset Voltage of $GS_X$ Op Amp  | $V_{FXI+}$ , $V_{FXI-}$  | —            | —          | $\pm 25$     | mV         |
| Input Common Mode Voltage Range  | $V_{FXI+}$ , $V_{FXI-}$  | -2.5         | —          | 2.5          | V          |
| Input Common Mode Rejection Ratio  | $V_{FXI+}$ , $V_{FXI-}$  | —            | 65         | —            | dB         |
| Unity Gain Bandwidth of $GS_X$ Op Amp ( $R_{load} \geq 10\text{ k}\Omega$ )    |  | —            | 1000       | —            | kHz        |
| DC Open Loop Gain of $GS_X$ Op Amp ( $R_{load} \geq 10\text{ k}\Omega$ )       |  | 75           | —          | —            | dB         |
| Equivalent Input Noise (C-Message) Between $V_{FXI+}$ and $V_{FXI-}$ at $GS_X$ |  | —            | -20        | —            | dBrnC0     |
| Output Load Capacitance for $GS_X$ Op Amp                                      |  | 0            | —          | 100          | pF         |
| Output Voltage Range for $GS_X$  | $R_{load} = 10\text{ k}\Omega$ to GNDA<br>$R_{load} = 600\ \Omega$ to GNDA | -3.5<br>-2.8 | —<br>—     | +3.5<br>+2.8 | V          |
| Output Current ( $-2.8\text{ V} \leq V_{out} \leq +2.8\text{ V}$ )             | $GS_X$ , $V_{FO}$  | $\pm 5.0$    | —          | —            | mA         |
| Output Impedance $V_{FO}$ (0 to 3.4 kHz)                                       |  | —            | 1          | —            | $\Omega$   |
| Output Load Capacitance for $V_{FO}$   |  | 0            | —          | 500          | pF         |
| $V_{FO}$ Output DC Offset Voltage Referenced to GNDA                           |  | —            | —          | $\pm 100$    | mV         |
| Transmit Power Supply Rejection  | Positive, 0 to 100 kHz, C-Message  | 45           | —          | —            | dB         |
|  | Negative, 0 to 100 kHz, C-Message  | 45           | —          | —            | dB         |
| Receive Power Supply Rejection   | Positive, 0 to 100 kHz, C-Message  | 50           | —          | —            | dB         |
|  | Positive, 4 kHz to 25 kHz  | 50           | —          | —            | dB         |
|  | Positive, 25 kHz to 50 kHz   | 43           | —          | —            | dB         |
|  | Negative, 0 to 100 kHz, C-Message  | 50           | —          | —            | dB         |
|  | Negative, 4 kHz to 25 kHz  | 45           | —          | —            | dB         |
|  | Negative, 25 kHz to 50 kHz   | 38           | —          | —            | dB         |

**ML145564/67 Power Drivers**

|   |                                |     |            |           |            |
|---|--------------------------------|-----|------------|-----------|------------|
| Input Current ( $-1\text{ V} \leq V_{PI} \leq +1\text{ V}$ )  | $V_{PI}$                       | —   | $\pm 0.05$ | $\pm 0.5$ | A          |
| Input Resistance ( $-1\text{ V} \leq V_{PI} \leq +1\text{ V}$ )   | $V_{PI}$                       | 5   | 10         | —         | M $\Omega$ |
| Input Offset Voltage ( $V_{PI}$ Connected to $V_{PO-}$ )  | $V_{PI}$                       | —   | —          | $\pm 50$  | mV         |
| Output Resistance, Inverted Unity Gain  | $V_{PO+}$ or $V_{PO-}$         | —   | 1          | —         | $\Omega$   |
| Unity Gain Bandwidth, Open Loop   | $V_{PO-}$                      | —   | 400        | —         | kHz        |
| Load Capacitance ( $\infty\ \Omega \geq R_{load} \geq 300\ \Omega$ )  | $V_{PO+}$ or $V_{PO-}$ to GNDA | 0   | —          | 1000      | pF         |
| Gain from $V_{PO-}$ to $V_{PO+}$ ( $R_{load} = 300\ \Omega$ , $V_{PO+}$ to GNDA Level at $V_{PO-} = 1.77\text{ Vrms}$ , +3 dBm0)                        |                                | —   | -1         | —         | V/V        |
| Maximum 0 dBm0 Level for Better than $\pm 0.1\text{ dB}$ Linearity Over the Range -10 dBm0 to +3 dBm0 (For $R_{load}$ between $V_{PO+}$ and $V_{PO-}$ ) | $R_{load} = 600\ \Omega$       | 3.3 | —          | —         | Vrms       |
|   | $R_{load} = 1200\ \Omega$      | 3.5 | —          | —         |            |
|   | $R_{load} = 10\text{ k}\Omega$ | 4.0 | —          | —         |            |
| Power Supply Rejection of $V_{CC}$ or $V_{BB}$ ( $V_{PO-}$ Connected to $V_{PI}$ )<br>$V_{PO+}$ or $V_{PO-}$ to GNDA                                    | 0 to 4 kHz                     | 55  | —          | —         | dB         |
|   | 4 to 50 kHz                    | 35  | —          | —         | dB         |
| Differential Power Supply Rejection of $V_{CC}$ or $V_{BB}$ ( $V_{PO-}$ Connected to $V_{PI}$ )<br>$V_{PO+}$ to $V_{PO-}$ , 0 to 50 kHz                 |                                | 50  | —          | —         | dB         |

**ANALOG TRANSMISSION PERFORMANCE**

( $V_{CC} = +5\text{ V} \pm 5\%$ ,  $V_{BB} = -5\text{ V} \pm 5\%$ ,  $G_{NDA} = 0\text{ V}$ ,  $0\text{ dBm}_0 = 1.2276\text{ V}_{rms} = +4\text{ dBm}$  @  $600\ \Omega$ ,  $FS_X = FS_R = 8\text{ kHz}$ ,  
 $BCLK_X = MCLK_X = 2.048\text{ MHz}$  Synchronous Operation,  $V_{FXI}$  – Connected to  $GS_X$ ,  $T_A = -40$  to  $+85\text{ C}$  Unless Otherwise Noted)

| Characteristic   | End-to-End                  |       | A/D   |            | D/A   |            | Unit             |                  |
|--|-----------------------------|-------|-------|------------|-------|------------|------------------|------------------|
|  | Min                         | Max   | Min   | Max        | Min   | Max        |                  |                  |
| Absolute Gain (0 dBm <sub>0</sub> @ 1.02 kHz, $T_A = 25\text{ C}$ , $V_{CC} = 5\text{ V}$ , $V_{BB} = -5\text{ V}$ )                       | —                           | —     | -0.25 | -0.25      | -0.25 | +0.25      | dB               |                  |
| Absolute Gain Variation with Temperature<br>0 to 70 C<br>-40 to +85 C  | —                           | —     | —     | $\pm 0.03$ | —     | $\pm 0.03$ | dB               |                  |
|  | —                           | —     | —     | $\pm 0.06$ | —     | $\pm 0.06$ | dB               |                  |
| Absolute Gain Variation with Power Supply ( $V_{CC} = 5\text{ V}$ , $\pm 5\%$ ,<br>$V_{BB} = -5\text{ V}$ , $\pm 5\%$ )                    | —                           | —     | —     | $\pm 0.02$ | —     | $\pm 0.02$ | dB               |                  |
| Gain vs Level Tone (Relative to -10 dBm <sub>0</sub> , 1.02 kHz)   | +3 to -40 dBm <sub>0</sub>  | -0.4  | +0.4  | -0.2       | +0.2  | -0.2       | +0.2             | dB               |
|  | -40 to -50 dBm <sub>0</sub> | -0.8  | +0.8  | -0.4       | +0.4  | -0.4       | +0.4             | dB               |
|  | -50 to -55 dBm <sub>0</sub> | -1.6  | +1.6  | -0.8       | +0.8  | -0.8       | +0.8             | dB               |
| Gain vs Level Pseudo Noise CCITT G.712<br>(ML145557/67 A–Law Relative to -10 dBm <sub>0</sub> )  | -10 to -40 dBm <sub>0</sub> | —     | —     | -0.25      | +0.25 | -0.25      | +0.25            | dB               |
|  | -40 to -50 dBm <sub>0</sub> | —     | —     | -0.30      | +0.30 | -0.30      | +0.30            | dB               |
|  | -50 to -55 dBm <sub>0</sub> | —     | —     | -0.45      | +0.45 | -0.45      | +0.45            | dB               |
| Total Distortion, 1.02 kHz Tone (C–Message)  | +3 dBm <sub>0</sub>         | 33    | —     | 33         | —     | 33         | —                | dBC              |
|  | 0 to -30 dBm <sub>0</sub>   | 35    | —     | 36         | —     | 36         | —                | dBC              |
|  | -40 dBm <sub>0</sub>        | 29    | —     | 30         | —     | 30         | —                | dBC              |
|  | -45 dBm <sub>0</sub>        | 24    | —     | 25         | —     | 25         | —                | dBC              |
|  | -55 dBm <sub>0</sub>        | 15    | —     | 15         | —     | 15         | —                | dBC              |
| Total Distortion With Pseudo Noise CCITT G.714<br>(ML145557/67 A–Law)  | -3 dBm <sub>0</sub>         | 27.5  | —     | 28         | —     | 28.5       | —                | dB               |
|  | -6 to -27 dBm <sub>0</sub>  | 35    | —     | 35.5       | —     | 36         | —                | dB               |
|  | -34 dBm <sub>0</sub>        | 33.1  | —     | 33.5       | —     | 34.2       | —                | dB               |
|  | -40 dBm <sub>0</sub>        | 28.2  | —     | 28.5       | —     | 30         | —                | dB               |
|  | -55 dBm <sub>0</sub>        | 13.2  | —     | 13.5       | —     | 15         | —                | dB               |
| Idle Channel Noise (For End–End and A/D, Note 1)<br>(ML145554/64 Mu–Law, C–Message Weighted)<br>(ML145557/67 A–Law, Psophometric Weighted) | —                           | 15    | —     | 15         | —     | 7          | dBmC0            |                  |
|  | —                           | -70   | —     | -70        | —     | -83        | dBm0p            |                  |
| Frequency Response (Relative to 1.02 kHz @ 0 dBm <sub>0</sub> )  | 15 Hz                       | —     | -40   | —          | -40   | -0.15      | 0                | dB               |
|  | 50 Hz                       | —     | -30   | —          | -30   | -0.15      | 0                | dB               |
|  | 60 Hz                       | —     | -26   | —          | -26   | -0.15      | 0                | dB               |
|  | 200 Hz                      | —     | —     | -1.0       | -0.4  | -0.15      | 0                | dB               |
|  | 300 to 3000 Hz              | -0.3  | 0.3   | -0.15      | +0.15 | -0.15      | +0.15            | dB               |
|  | 3300 Hz                     | -0.70 | +0.3  | -0.35      | +0.15 | -0.35      | +0.15            | dB               |
|  | 3400 Hz                     | -1.6  | 0     | -0.8       | 0     | -0.8       | 0                | dB               |
|  | 4000 Hz                     | —     | -28   | —          | -14   | —          | -14              | dB               |
|  | 4600 Hz                     | —     | -60   | —          | -32   | —          | -30              | dB               |
| In–Band Spurious<br>(1.02 kHz @ 0 dBm <sub>0</sub> , Transmit and Receive)   | 300 to 3000 Hz              | —     | -48   | —          | -48   | —          | -48              | dBm <sub>0</sub> |
| Out-of–Band Spurious at $V_{FO}$ (300 – 3400 Hz @ 0 dBm <sub>0</sub> In)   | 4600 to 7600 Hz             | —     | -30   | —          | —     | —          | -30              | dB               |
|  | 7600 to 8400 Hz             | —     | -40   | —          | —     | —          | -40              | dB               |
|  | 8400 to 100,000 Hz          | —     | -30   | —          | —     | —          | -30              | dB               |
| Idle Channel Noise Selective (8 kHz, Input = $G_{NDA}$ , 30 Hz Bandwidth)  | —                           | -70   | —     | —          | —     | -70        | dBm <sub>0</sub> |                  |
| Absolute Delay (1600 Hz)   | —                           | —     | —     | 315        | —     | 215        | s                |                  |
| Group Delay Referenced to 1600 Hz  | 500 to 600 Hz               | —     | —     | —          | 220   | -40        | —                | s                |
|  | 600 to 800 Hz               | —     | —     | —          | 145   | -40        | —                | s                |
|  | 800 to 1000 Hz              | —     | —     | —          | 75    | -40        | —                | s                |
|  | 1000 to 1600 Hz             | —     | —     | —          | 40    | -30        | —                | s                |
|  | 1600 to 2600 Hz             | —     | —     | —          | 75    | —          | 90               | s                |
|  | 2600 to 2800 Hz             | —     | —     | —          | 105   | —          | 125              | s                |
|  | 2800 to 3000 Hz             | —     | —     | —          | 155   | —          | 175              | s                |
| Crosstalk of 1020 Hz @ 0 dBm <sub>0</sub> from A/D or D/A (Note 2)   | —                           | —     | —     | -75        | —     | -75        | dB               |                  |
| Intermodulation Distortion of Two Frequencies of Amplitudes<br>-4 to -21 dBm <sub>0</sub> from the Range 300 to 3400 Hz                    | —                           | -41   | —     | -41        | —     | -41        | dB               |                  |

## NOTES:

1. Extrapolated from a 1020 Hz @ -50 dBm<sub>0</sub> distortion measurement to correct for encoder enhancement.
2. Selectively measured while the A/D is stimulated with 2667 Hz @ -50 dBm<sub>0</sub>.



**DIGITAL SWITCHING CHARACTERISTICS**

( $V_{CC} = 5\text{ V} \pm 5\%$ ,  $V_{BB} = -5\text{ V} \pm 5\%$ ,  $G_{NDA} = 0\text{ V}$ , All Signals Referenced to  $G_{NDA}$ ;  $T_A = -40\text{ to } +85\text{ C}$ ,  $C_{load} = 150\text{ pF}$  Unless Otherwise Noted)

| Characteristic  | Symbol               | Min         | Typ                     | Max         | Unit |
|---|----------------------|-------------|-------------------------|-------------|------|
| Master Clock Frequency<br>MCLK <sub>X</sub> or MCLK <sub>R</sub>  | f <sub>M</sub>       | —<br>—<br>— | 1.536<br>1.544<br>2.048 | —<br>—<br>— | MHz  |
| Minimum Pulse Width High or Low<br>MCLK <sub>X</sub> or MCLK <sub>R</sub>   | t <sub>w(M)</sub>    | 100         | —                       | —           | ns   |
| Minimum Pulse Width High or Low<br>BCLK <sub>X</sub> or BCLK <sub>R</sub>   | t <sub>w(B)</sub>    | 50          | —                       | —           | ns   |
| Minimum Pulse Width Low<br>FS <sub>X</sub> or FS <sub>R</sub>   | t <sub>w(FL)</sub>   | 50          | —                       | —           | ns   |
| Rise Time for all Digital Signals   | t <sub>r</sub>       | —           | —                       | 50          | ns   |
| Fall Time for all Digital Signals   | t <sub>f</sub>       | —           | —                       | 50          | ns   |
| Bit Clock Data Rate<br>BCLK <sub>X</sub> or BCLK <sub>R</sub>   | f <sub>B</sub>       | 128         | —                       | 4096        | kHz  |
| Setup Time from BCLK <sub>X</sub> Low to MCLK <sub>R</sub> High   | t <sub>su(BRM)</sub> | 50          | —                       | —           | ns   |
| Setup Time from MCLK <sub>X</sub> High to BCLK <sub>X</sub> Low   | t <sub>su(MFB)</sub> | 20          | —                       | —           | ns   |
| Hold Time from BCLK <sub>X</sub> (BCLK <sub>R</sub> ) Low to FS <sub>X</sub> (FS <sub>R</sub> ) High                            | t <sub>h(BF)</sub>   | 20          | —                       | —           | ns   |
| Setup Time for FS <sub>X</sub> (FS <sub>R</sub> ) High to BCLK <sub>X</sub> (BCLK <sub>R</sub> ) Low for Long Frame             | t <sub>su(FB)</sub>  | 80          | —                       | —           | ns   |
| Delay Time from BCLK <sub>X</sub> High to D <sub>X</sub> Data Valid   | t <sub>d(BD)</sub>   | 20          | 60                      | 140         | ns   |
| Delay Time from BCLK <sub>X</sub> High to TS <sub>X</sub> Low   | t <sub>d(BTS)</sub>  | 20          | 50                      | 140         | ns   |
| Delay Time from the 8th BCLK <sub>X</sub> Low of FS <sub>X</sub> Low to D <sub>X</sub> Output Disabled                          | t <sub>d(ZC)</sub>   | 50          | 70                      | 140         | ns   |
| Delay Time to Valid Data from FS <sub>X</sub> or BCLK <sub>X</sub> , Whichever is Later   | t <sub>d(ZF)</sub>   | 20          | 60                      | 140         | ns   |
| Setup Time from D <sub>R</sub> Valid to BCLK <sub>X</sub> Low   | t <sub>su(DB)</sub>  | 0           | —                       | —           | ns   |
| Hold Time from BCLK <sub>R</sub> Low to D <sub>R</sub> Invalid  | t <sub>h(BD)</sub>   | 50          | —                       | —           | ns   |
| Setup Time from FS <sub>X</sub> (FS <sub>R</sub> ) High to BCLK <sub>X</sub> (BCLK <sub>R</sub> ) Low in Short Frame            | t <sub>su(F)</sub>   | 50          | —                       | —           | ns   |
| Hold Time from BCLK <sub>X</sub> (BCLK <sub>R</sub> ) Low to FS <sub>X</sub> (FS <sub>R</sub> ) Low in Short Frame              | t <sub>h(F)</sub>    | 50          | —                       | —           | ns   |
| Hold Time from 2nd Period of BCLK <sub>X</sub> (BCLK <sub>R</sub> ) Low to FS <sub>X</sub> (FS <sub>R</sub> ) Low in Long Frame | t <sub>h(BFI)</sub>  | 50          | —                       | —           | ns   |

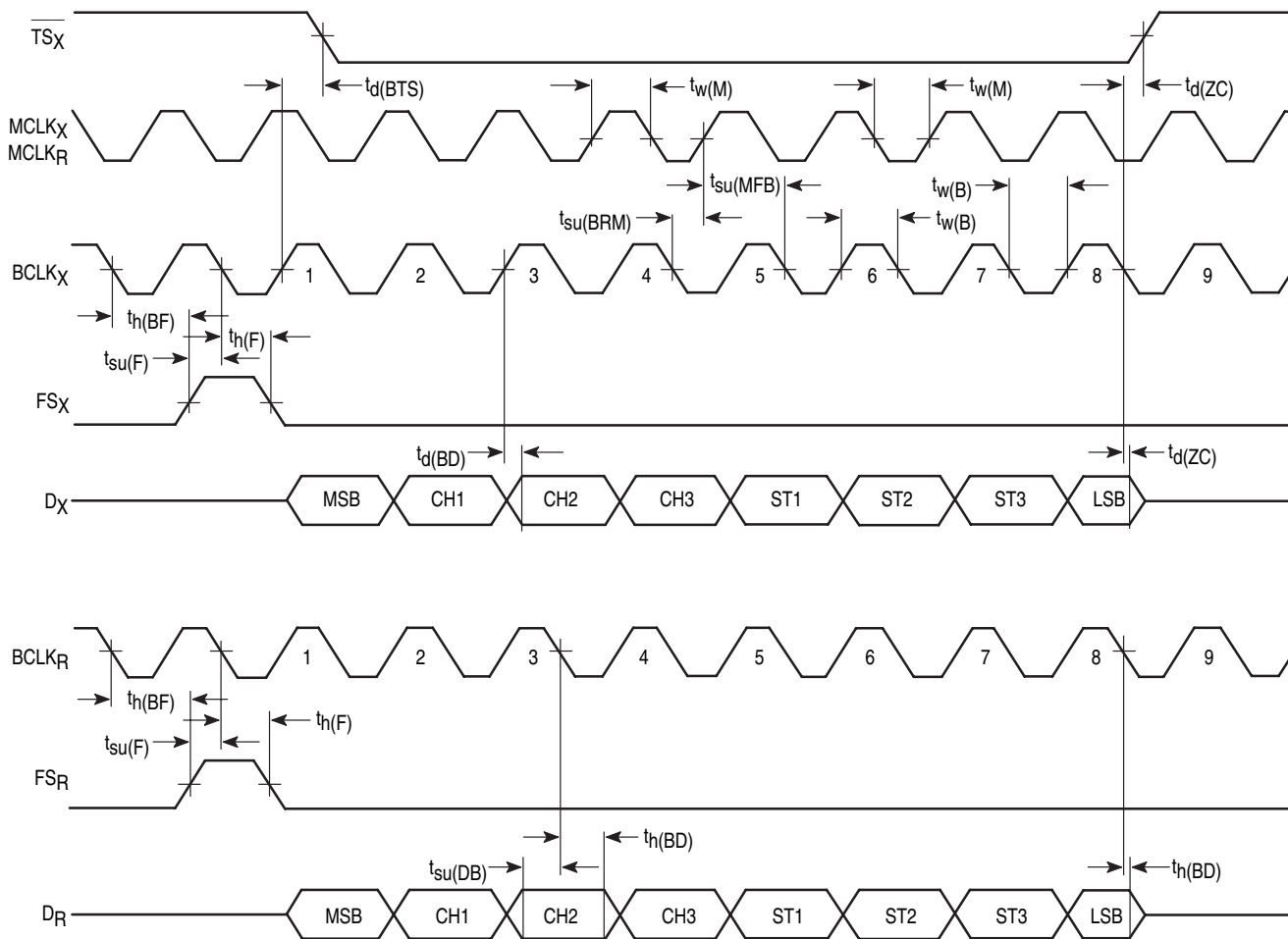


Figure 1. Short Frame Sync Timing

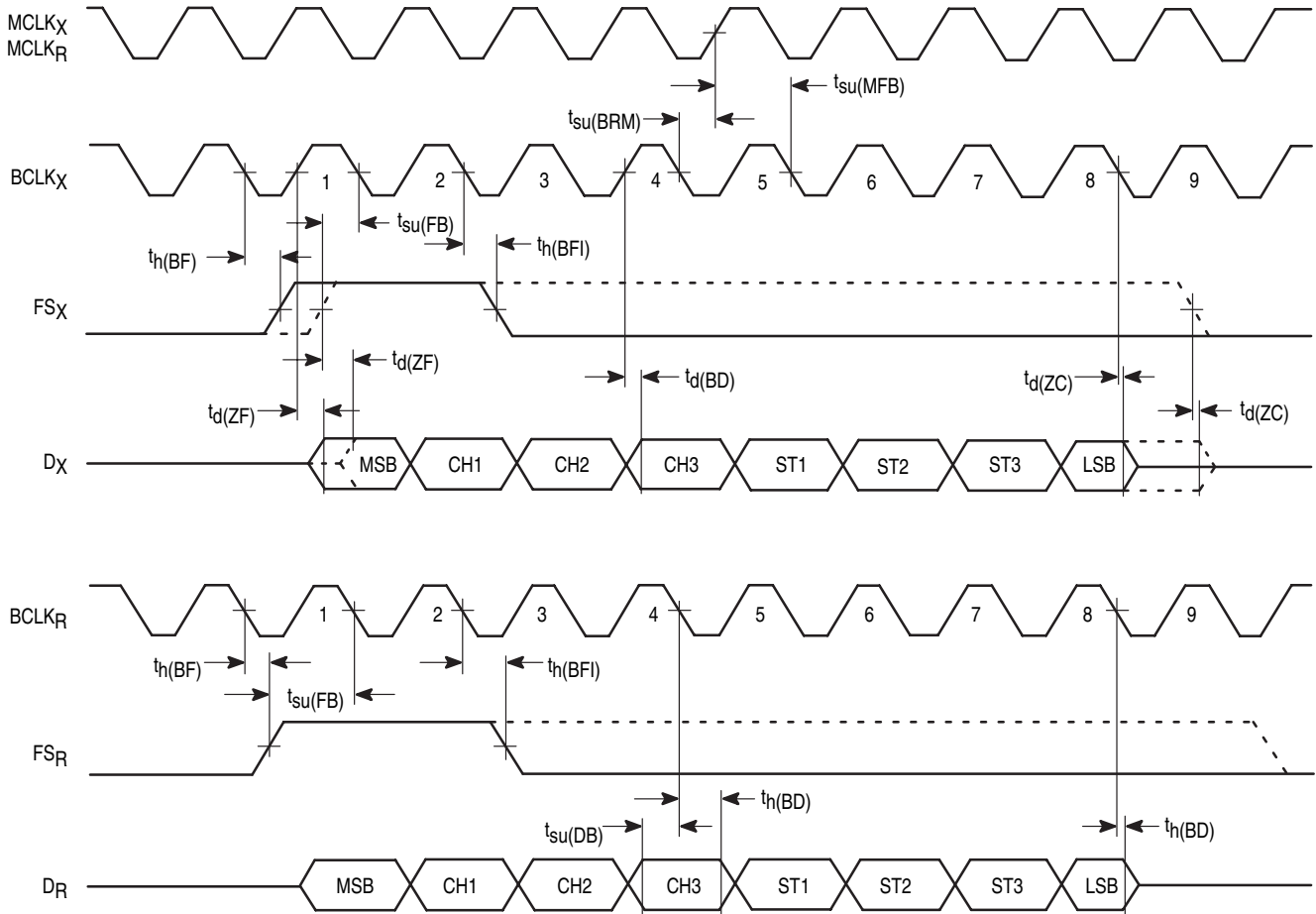


Figure 2. Long Frame Sync Timing

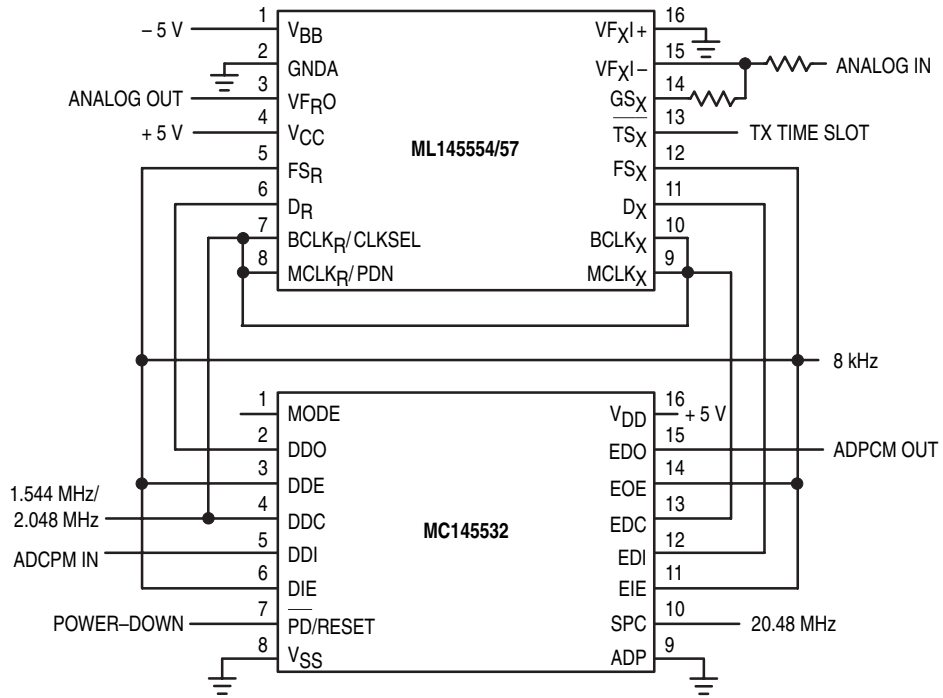
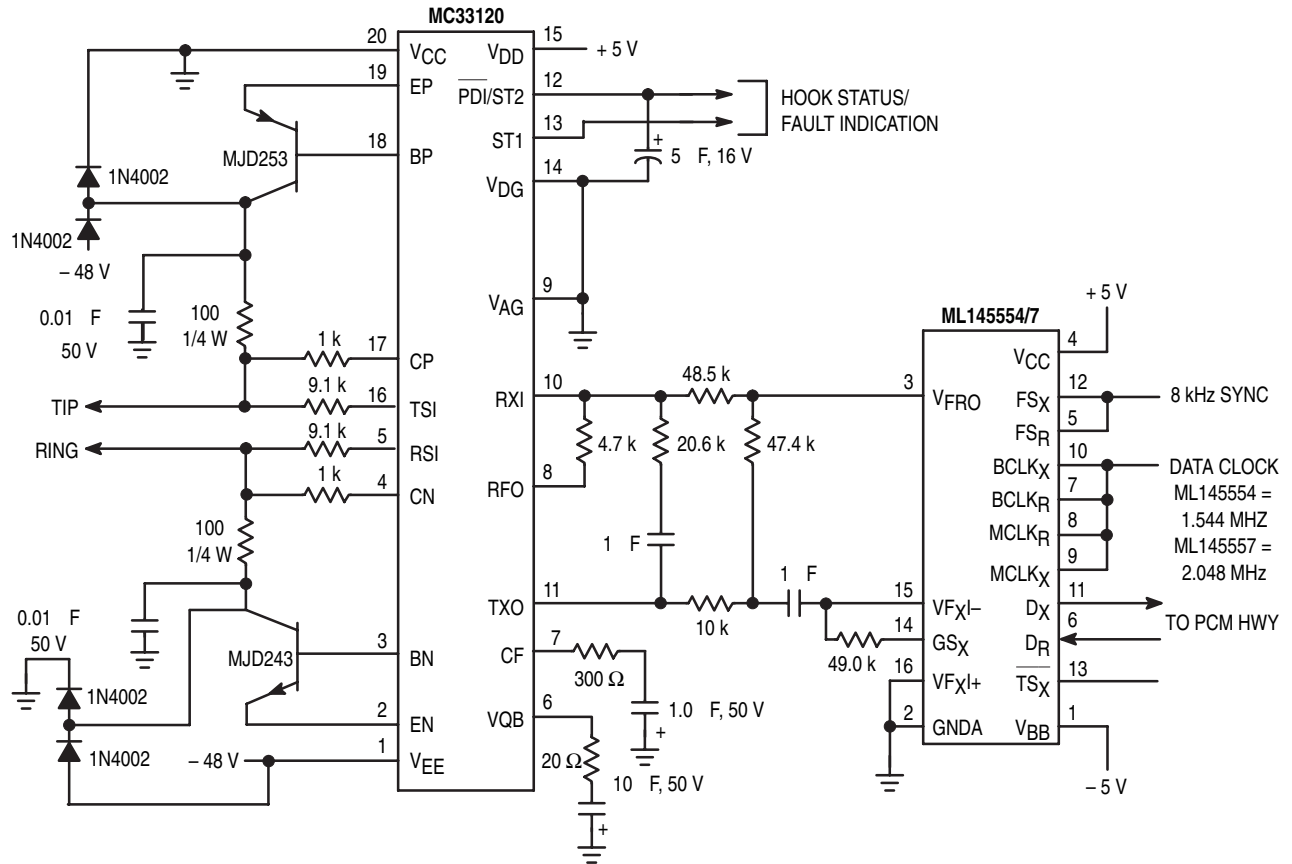


Figure 3. ADPCM Transcoder Application



NOTE: Six resistors and two capacitors on the two-wire side can be 5% tolerance.

Figure 4. A Complete Single Party Channel Unit Using ML145554/57 PCM Codec-Filter and MC33120 SLIC



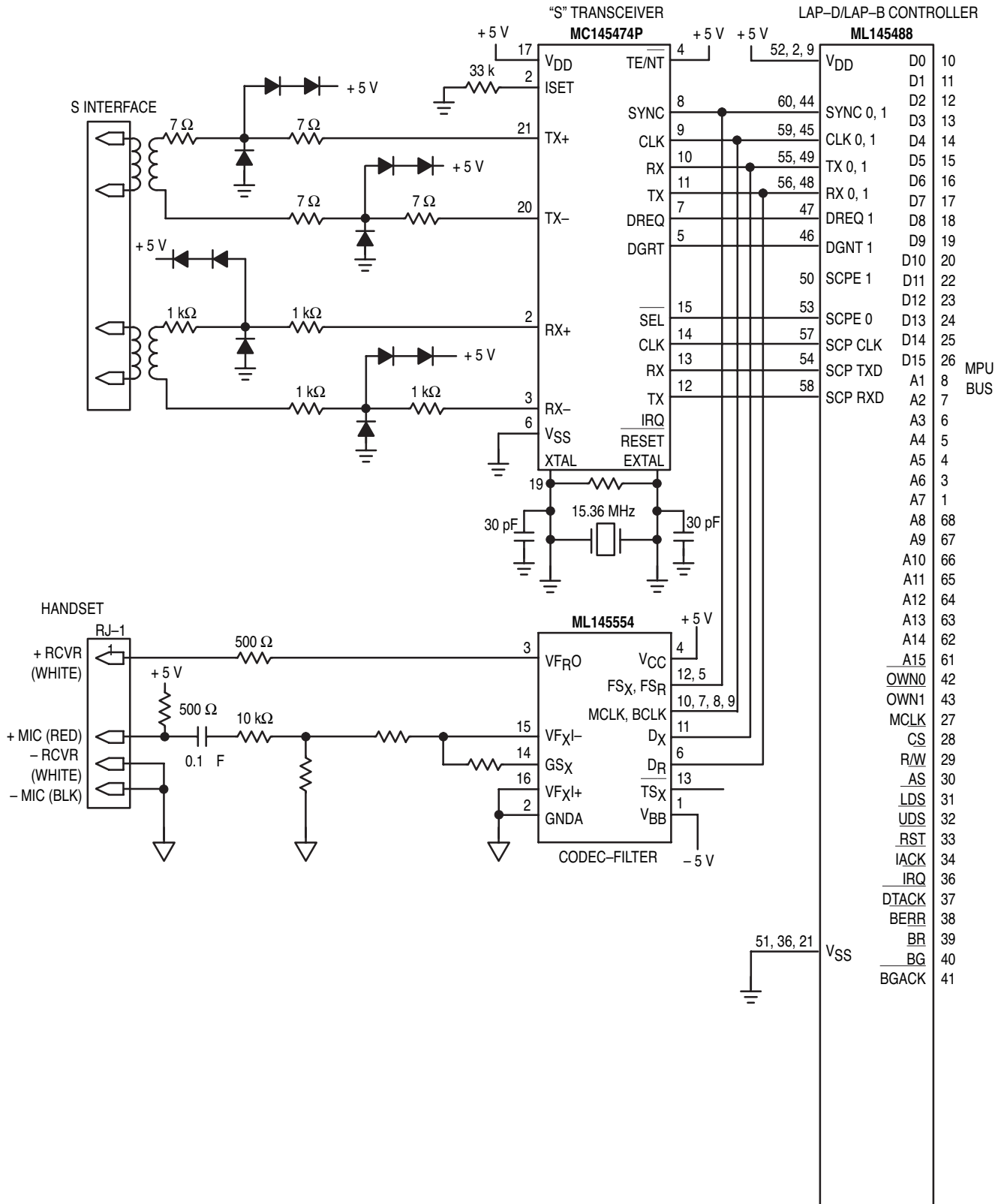


Figure 5. ISDN Voice/Data Terminal

Table 3. Mu-Law Encode-Decode Characteristics

| Chord Number | Number of Steps | Step Size | Normalized Encode Decision Levels | Digital Code |       |       |       |      |      |      |      | Normalized Decode Levels |      |
|--------------|-----------------|-----------|-----------------------------------|--------------|-------|-------|-------|------|------|------|------|--------------------------|------|
|              |                 |           |                                   | 1            | 2     | 3     | 4     | 5    | 6    | 7    | 8    |                          |      |
|              |                 |           |                                   | Sign         | Chord | Chord | Chord | Step | Step | Step | Step |                          |      |
| 8            | 16              | 256       | 8159                              | 1            | 0     | 0     | 0     | 0    | 0    | 0    | 0    | 0                        | 8031 |
|              |                 |           | 7903                              |              |       |       |       |      |      |      |      |                          |      |
|              |                 |           | 4319                              | 1            | 0     | 0     | 0     | 1    | 1    | 1    | 1    | 4191                     |      |
| 7            | 16              | 128       | 4063                              |              |       |       |       |      |      |      |      |                          |      |
|              |                 |           | 2143                              | 1            | 0     | 0     | 1     | 1    | 1    | 1    | 1    | 2079                     |      |
|              |                 |           | 2015                              |              |       |       |       |      |      |      |      |                          |      |
| 6            | 16              | 64        | 1055                              | 1            | 0     | 1     | 0     | 1    | 1    | 1    | 1    | 1023                     |      |
|              |                 |           | 991                               |              |       |       |       |      |      |      |      |                          |      |
|              |                 |           | 511                               | 1            | 0     | 1     | 1     | 1    | 1    | 1    | 1    | 495                      |      |
| 4            | 16              | 16        | 479                               |              |       |       |       |      |      |      |      |                          |      |
|              |                 |           | 239                               | 1            | 1     | 0     | 0     | 1    | 1    | 1    | 1    | 231                      |      |
|              |                 |           | 223                               |              |       |       |       |      |      |      |      |                          |      |
| 3            | 16              | 8         | 103                               | 1            | 1     | 0     | 1     | 1    | 1    | 1    | 1    | 99                       |      |
|              |                 |           | 95                                |              |       |       |       |      |      |      |      |                          |      |
|              |                 |           | 35                                | 1            | 1     | 1     | 0     | 1    | 1    | 1    | 1    | 33                       |      |
| 2            | 16              | 4         | 31                                |              |       |       |       |      |      |      |      |                          |      |
|              |                 |           | 3                                 | 1            | 1     | 1     | 1     | 1    | 1    | 1    | 0    | 2                        |      |
|              |                 |           | 1                                 | 1            | 1     | 1     | 1     | 1    | 1    | 1    | 0    |                          |      |
| 1            | 15              | 2         | 0                                 |              |       |       |       |      |      |      |      |                          |      |
|              |                 |           | 1                                 | 1            | 1     | 1     | 1     | 1    | 1    | 1    | 1    | 0                        |      |
|              |                 |           | 0                                 |              |       |       |       |      |      |      |      |                          |      |

NOTES:

1. Characteristics are symmetrical about analog zero with sign bit = 0 for negative analog values.
2. Digital code includes inversion of all magnitude bits.

Table 4. A–Law Encode–Decode Characteristics

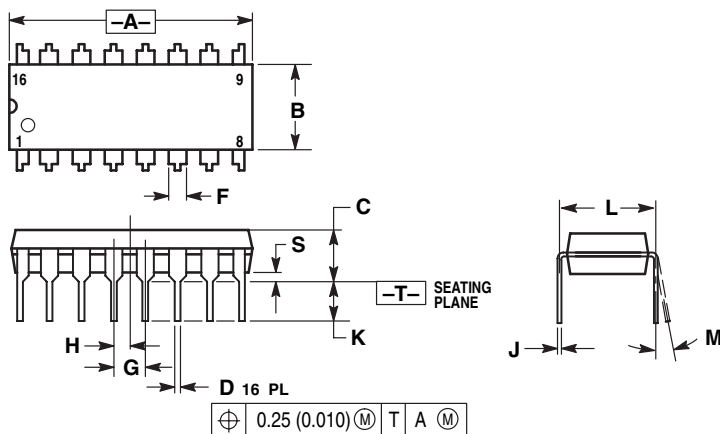
| Chord Number | Number of Steps | Step Size | Normalized Encode Decision Levels | Digital Code |       |       |       |      |      |      |      | Normalized Decode Levels |  |
|--------------|-----------------|-----------|-----------------------------------|--------------|-------|-------|-------|------|------|------|------|--------------------------|--|
|              |                 |           |                                   | 1            | 2     | 3     | 4     | 5    | 6    | 7    | 8    |                          |  |
|              |                 |           |                                   | Sign         | Chord | Chord | Chord | Step | Step | Step | Step |                          |  |
| 7            | 16              | 128       | 4096                              |              |       |       |       |      |      |      |      |                          |  |
|              |                 |           | 3968                              | 1            | 0     | 1     | 0     | 1    | 0    | 1    | 0    | 4032                     |  |
|              |                 |           | 2176                              |              |       |       |       |      |      |      |      |                          |  |
| 6            | 16              | 64        | 2048                              | 1            | 0     | 1     | 0     | 0    | 1    | 0    | 1    | 2112                     |  |
|              |                 |           | 1088                              |              |       |       |       |      |      |      |      |                          |  |
|              |                 |           | 1024                              | 1            | 0     | 1     | 1     | 0    | 1    | 0    | 1    | 1056                     |  |
| 5            | 16              | 32        | 544                               |              |       |       |       |      |      |      |      |                          |  |
|              |                 |           | 512                               | 1            | 0     | 0     | 0     | 0    | 1    | 0    | 1    | 528                      |  |
|              |                 |           | 272                               |              |       |       |       |      |      |      |      |                          |  |
| 4            | 16              | 16        | 256                               | 1            | 0     | 0     | 1     | 0    | 1    | 0    | 1    | 264                      |  |
|              |                 |           | 136                               |              |       |       |       |      |      |      |      |                          |  |
|              |                 |           | 128                               | 1            | 1     | 1     | 0     | 0    | 1    | 0    | 1    | 132                      |  |
| 2            | 16              | 4         | 68                                |              |       |       |       |      |      |      |      |                          |  |
|              |                 |           | 64                                | 1            | 1     | 1     | 1     | 0    | 1    | 0    | 1    | 66                       |  |
|              |                 |           | 2                                 |              |       |       |       |      |      |      |      |                          |  |
| 1            | 32              | 2         | 0                                 | 1            | 1     | 0     | 1     | 0    | 1    | 0    | 1    | 1                        |  |
|              |                 |           |                                   |              |       |       |       |      |      |      |      |                          |  |

NOTES:

1. Characteristics are symmetrical about analog zero with sign bit = 0 for negative analog values.
2. Digital code includes alternate bit inversion, as specified by CCITT.

OUTLINE DIMENSIONS

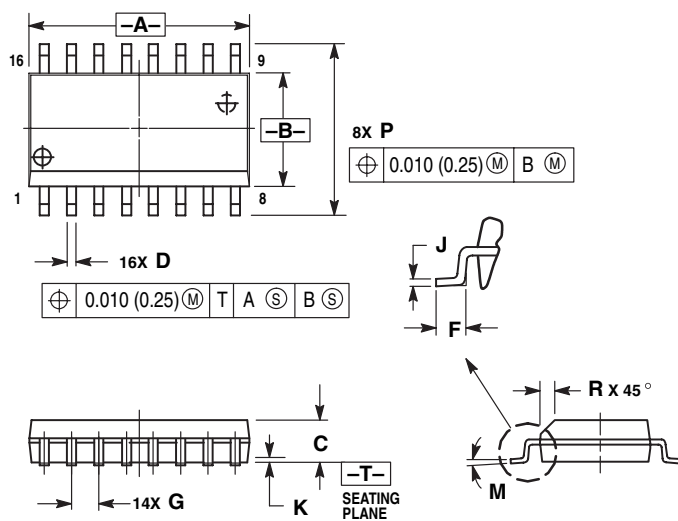
P DIP 16 = EP  
(ML145554EP, ML145557EP)  
PLASTIC DIP  
CASE 648-08



- NOTES:
1. DIMENSIONING AND TOLERANCING PER ANSI Y14.5M, 1982.
  2. CONTROLLING DIMENSION: INCH.
  3. DIMENSION L TO CENTER OF LEADS WHEN FORMED PARALLEL.
  4. DIMENSION B DOES NOT INCLUDE MOLD FLASH.
  5. ROUNDED CORNERS OPTIONAL.

| DIM | INCHES    |       | MILLIMETERS |       |
|-----|-----------|-------|-------------|-------|
|     | MIN       | MAX   | MIN         | MAX   |
| A   | 0.740     | 0.770 | 18.80       | 19.55 |
| B   | 0.250     | 0.270 | 6.35        | 6.85  |
| C   | 0.145     | 0.175 | 3.69        | 4.44  |
| D   | 0.015     | 0.021 | 0.39        | 0.53  |
| F   | 0.040     | 0.70  | 1.02        | 1.77  |
| G   | 0.100 BSC |       | 2.54 BSC    |       |
| H   | 0.050 BSC |       | 1.27 BSC    |       |
| J   | 0.008     | 0.015 | 0.21        | 0.38  |
| K   | 0.110     | 0.130 | 2.80        | 3.30  |
| L   | 0.295     | 0.305 | 7.50        | 7.74  |
| M   | 0°        | 10°   | 0°          | 10°   |
| S   | 0.020     | 0.040 | 0.51        | 1.01  |

SOG 16 = -5P  
(ML145554-5P, ML145557-5P)  
SOG PACKAGE  
CASE 751G-02

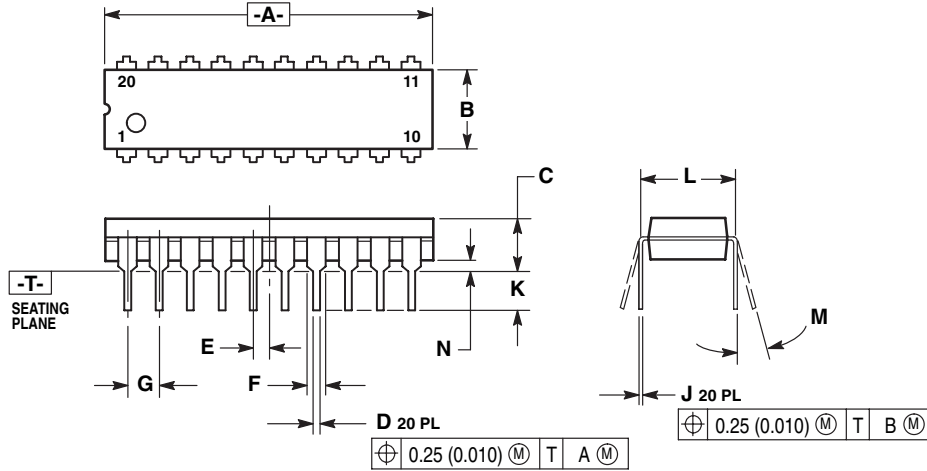


- NOTES:
1. DIMENSIONING AND TOLERANCING PER ANSI Y14.5M, 1982.
  2. CONTROLLING DIMENSION: MILLIMETER.
  3. DIMENSIONS A AND B DO NOT INCLUDE MOLD PROTRUSION.
  4. MAXIMUM MOLD PROTRUSION 0.15 (0.006) PER SIDE.
  5. DIMENSION D DOES NOT INCLUDE DAMBAR PROTRUSION. ALLOWABLE DAMBAR PROTRUSION SHALL BE 0.13 (0.005) TOTAL IN EXCESS OF D DIMENSION AT MAXIMUM MATERIAL CONDITION.

| DIM | MILLIMETERS |       | INCHES    |       |
|-----|-------------|-------|-----------|-------|
|     | MIN         | MAX   | MIN       | MAX   |
| A   | 10.15       | 10.45 | 0.400     | 0.411 |
| B   | 7.40        | 7.60  | 0.292     | 0.299 |
| C   | 2.35        | 2.65  | 0.093     | 0.104 |
| D   | 0.35        | 0.49  | 0.014     | 0.019 |
| F   | 0.50        | 0.90  | 0.020     | 0.035 |
| G   | 1.27 BSC    |       | 0.050 BSC |       |
| J   | 0.25        | 0.32  | 0.010     | 0.012 |
| K   | 0.10        | 0.25  | 0.004     | 0.009 |
| M   | 0°          | 7°    | 0°        | 7°    |
| P   | 10.05       | 10.55 | 0.395     | 0.415 |
| R   | 0.25        | 0.75  | 0.010     | 0.029 |

OUTLINE DIMENSIONS

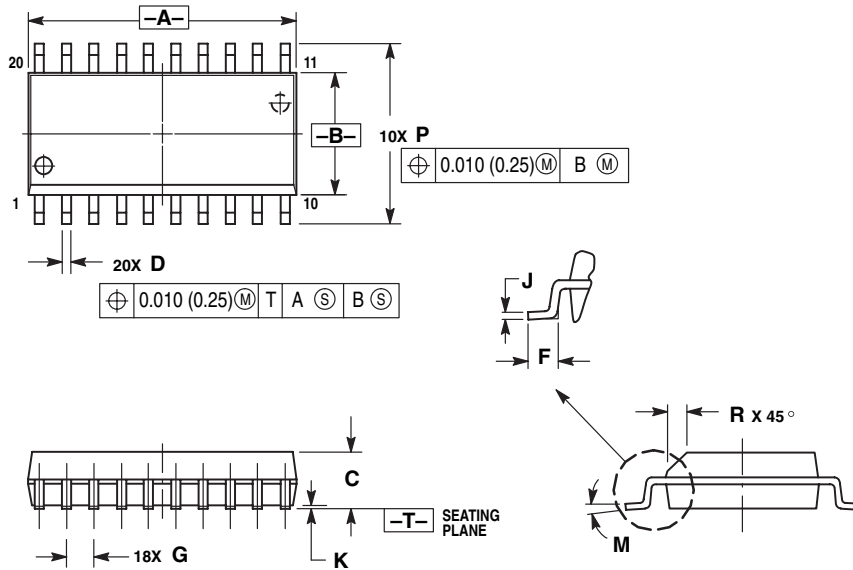
P DIP 20 = RP  
(ML145564RP, ML145567RP)  
PLASTIC DIP  
CASE 738-03



- NOTES:
1. DIMENSIONING AND TOLERANCING PER ANSI Y14.5M, 1982.
  2. CONTROLLING DIMENSION: INCH.
  3. DIMENSION L TO CENTER OF LEAD WHEN FORMED PARALLEL.
  4. DIMENSION B DOES NOT INCLUDE MOLD FLASH.

| DIM | INCHES    |       | MILLIMETERS |       |
|-----|-----------|-------|-------------|-------|
|     | MIN       | MAX   | MIN         | MAX   |
| A   | 1.010     | 1.070 | 25.66       | 27.17 |
| B   | 0.240     | 0.260 | 6.10        | 6.60  |
| C   | 0.150     | 0.180 | 3.81        | 4.57  |
| D   | 0.015     | 0.022 | 0.39        | 0.55  |
| E   | 0.050 BSC |       | 1.27 BSC    |       |
| F   | 0.050     | 0.070 | 1.27        | 1.77  |
| G   | 0.100 BSC |       | 2.54 BSC    |       |
| J   | 0.008     | 0.015 | 0.21        | 0.38  |
| K   | 0.110     | 0.140 | 2.80        | 3.55  |
| L   | 0.300 BSC |       | 7.62 BSC    |       |
| M   | 0         | 15    | 0           | 15    |
| N   | 0.020     | 0.040 | 0.51        | 1.01  |

SOG 20 = -6P  
(ML145564-6P, ML145567-6P)  
SOG PACKAGE  
CASE 751D-04



- NOTES:
1. DIMENSIONING AND TOLERANCING PER ANSI Y14.5M, 1982.
  2. CONTROLLING DIMENSION: MILLIMETER.
  3. DIMENSIONS A AND B DO NOT INCLUDE MOLD PROTRUSION.
  4. MAXIMUM MOLD PROTRUSION 0.150 (0.006) PER SIDE.
  5. DIMENSION D DOES NOT INCLUDE DAMBAR PROTRUSION. ALLOWABLE DAMBAR PROTRUSION SHALL BE 0.13 (0.005) TOTAL IN EXCESS OF D DIMENSION AT MAXIMUM MATERIAL CONDITION.

| DIM | MILLIMETERS |       | INCHES    |       |
|-----|-------------|-------|-----------|-------|
|     | MIN         | MAX   | MIN       | MAX   |
| A   | 12.65       | 12.95 | 0.499     | 0.510 |
| B   | 7.40        | 7.60  | 0.292     | 0.299 |
| C   | 2.35        | 2.65  | 0.093     | 0.104 |
| D   | 0.35        | 0.49  | 0.014     | 0.019 |
| F   | 0.50        | 0.90  | 0.020     | 0.035 |
| G   | 1.27 BSC    |       | 0.050 BSC |       |
| J   | 0.25        | 0.32  | 0.010     | 0.012 |
| K   | 0.10        | 0.25  | 0.004     | 0.009 |
| M   | 0°          | 7°    | 0°        | 7°    |
| P   | 10.05       | 10.55 | 0.395     | 0.415 |
| R   | 0.25        | 0.75  | 0.010     | 0.029 |

Lansdale Semiconductor reserves the right to make changes without further notice to any products herein to improve reliability, function or design. Lansdale does not assume any liability arising out of the application or use of any product or circuit described herein; neither does it convey any license under its patent rights nor the rights of others. "Typical" parameters which may be provided in Lansdale data sheets and/or specifications can vary in different applications, and actual performance may vary over time. All operating parameters, including "Typicals" must be validated for each customer application by the customer's technical experts. Lansdale Semiconductor is a registered trademark of Lansdale Semiconductor, Inc.